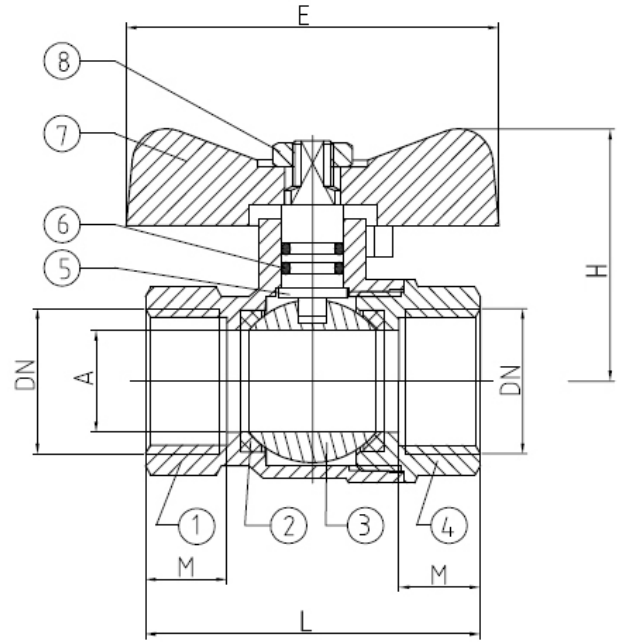


ART.1030 FF T standard



ART.1030 FF T standard

BRASS BALL VALVE

Full Bore

Butterfly handle

Thread FF ISO228/1

Temperature: min -20°C

max +95°C

Opening and closing tests: 20.000

Nominal pressure: Max 25bar

Available: in all sizes from 1/4" up to 1"

NO	Component	Material
1	Body	Brass
2	Seat	P.T.F.E
3	Ball	Brass
4	Valve nut	Brass
5	Stem	Brass
6	O-ring	NBR 70°
7	Butterfly handle	Aluminium
8	Nut	Brass

DN	1/4"	3/8"	1/2"	3/4"	1"						
A	9	10	14.8	19	24						
L	40.3	41.3	48.5	54.6	64						
H	32.7	32.7	36.5	40	52						
E	54	54	54	54	70						
M	8.5	8.5	10.5	11	13.5						
PN	25	25	25	25	25						
Piece/Box	28	28	16	12	6						
Piece/carton	336	336	192	144	72						
Carton/pallet	36	36	36	36	36						

PRINT>> BACK>>